

# (1) CERTIFICATE

- (2) No. of the Certificate: **ZP/B182/19-PZ** replaces ZP/B185/16-PZ
- (3) Product: **Anchor device type A**  
**Type: ABS-Lock® X-SR-AS**
- (4) Manufacturer: **ABS Safety GmbH**
- (5) Address: **Gewerbering 3, 47623 Kevelaer**
- (6) The design of this product and any acceptable variation thereto are specified in the appendix to this certificate.
- (7) The Certification Body of DEKRA Testing and Certification GmbH certifies that this product complies with the requirements of the test regulations listed under item 8 below. The test results are recorded in report PB 19-126.
- (8) The requirements are assured by compliance with  
**DIN EN 795:2012** **DIN CEN/TS 16415:2017**
- (9) This certificate relates only to the design and tests of the specified product in accordance to the contemplated requirements. Further requirements applied to the manufacturing process and supply of this product, are not covered by this certificate.
- (10) The manufacturer is authorized to apply the mark of conformity to the products that conform to the types examined.
- (11) This certificate is valid until 2024-08-14.



DEKRA Testing and Certification GmbH  
Bochum, 2019-08-15

Signed: Kilisch  
Managing director

We confirm the correctness of the translation from the German original.  
In the case of arbitration only the German wording shall be valid and binding.

  
Managing director

## TRANSLATION

- (12) Appendix to
- (13) **Certificate**  
**ZP/B182/19-PZ**
- (14) 14.1 Subject and type  
Anchor device type A  
Type: ABS-Lock® X-SR-AS

### 14.2 Description

The anchor device of type ABS-Lock® X-SR-AS (Fig. 1) is a single anchor point that is used to protect a maximum number of three people against falls from a height. The device is to be mounted onto surfaces of concrete or steel with sufficient strength. The anchor device is fastened to the surface by means of four drill holes ( $\varnothing$  14 mm) in the base plate (150 mm x 150 mm x 8 mm) and the pertinent fastening elements. The support welded centrally onto the base plate ( $\varnothing$  42.4 mm) is between 330 mm and 700 mm high. At the upper end of the support, there is an M16 internal thread into which a ring screw is securely screw-fastened. The user can protect himself against falls from a height by connecting his personal protective equipment to this screw. The single anchor point is so designed and constructed that, in case load caused by a fall is applied, it can absorb the foreseeable forces when being combined with the wire-rope systems ABS-Lock® SYS I to SYS IV.

In this case, the anchor device is used as an end anchor or intermediate structural anchor in wire-rope systems according to DIN EN 795:2012 Type C made by ABS Safety GmbH. Instead of the ring eyelet, appropriate wire-guide components can be mounted as well. The anchor device is intended for bearing loads being exerted from any direction and is made of corrosion-resistant steel.

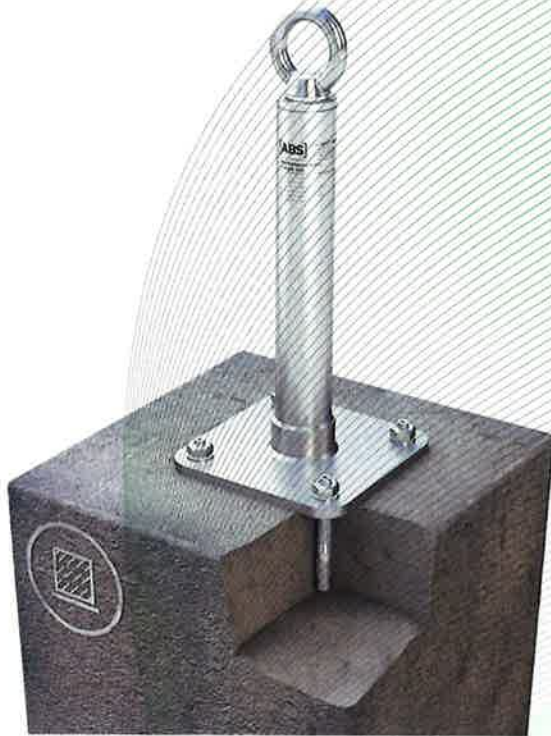


Fig. 1: Anchor device, type: ABS-Lock® X-SR-AS

- (15) Report  
PB 19-126, 2019-04-30