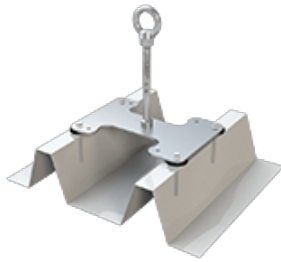


ABS-Lock X-T

Anchorage point for installation on trapezoidal sheeting using toggle bolts



Are you looking for a fall arrest system which has been approved by the German Institute for Construction Technology ("DIBt") for a roof made of trapezoidal sheeting? Then our ABS-Lock X-T anchor is just the one for you! This stainless steel anchorage point is equipped with a special rod (\varnothing 16mm) which was designed to buckle under stress. The anchor has been awarded national technical approval ("abZ") and bears the corresponding Ü symbol.

This anchorage device was specially devised for trapezoidal roof sheeting (positive and negative). It can be deployed either as a single anchorage point or as a bracket for safety components in a lifeline system. This safety solution is installed using 4 toggle bolts which are included in the package.

Our anchorage point has been tested for lateral loads and is capable of simultaneously protecting up to 3 workers from falls. Round up your safety concept with a special PPE set for roofers.

Application

Profile Roof Flat Roofs

Substructure

Trapezoidal Sheeting

Attachment

Toggle bolts

Certification

EN 795 DIBt Approval | Ü-Sign
ANSI

ABS-Lock SYS

HLL Intermediate End and corner support

Force Directions

Lateral

Max. no. of users

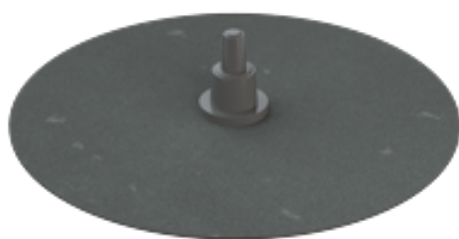
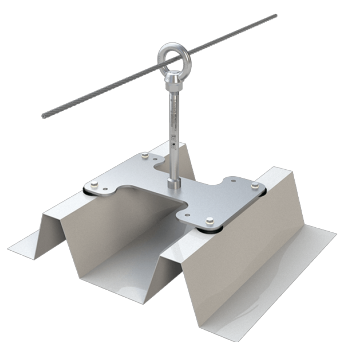
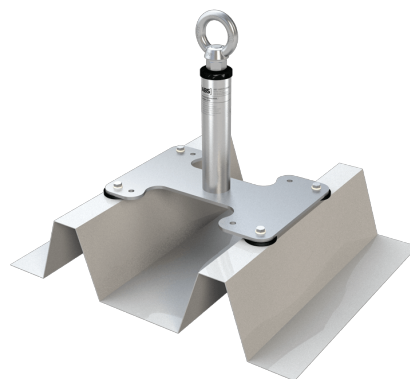
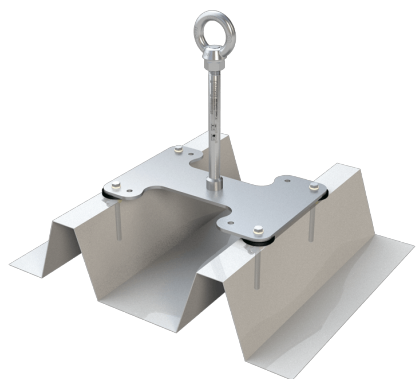
3 Persons

Miscellaneous

Stainless Steel

- National technical approval ("abZ"): Z-14.9-688 (pls. observe the installation instructions provided in the "abZ")
- EN 795:2012, A + CEN/TS 16415:2017
- Trapezoidal sheeting, steel \geq 0.5 mm (0.63 mm according to the "abZ" specifications)
- Warm roofs, distance between the bores: 180 to 250 mm
- Installation materials included
- Add a supporting tube for usage as an end or corner support in a lifeline system





ABS-LockSeal Bitu & Bitu-S

Sealant collar for fall protection anchors installed on a bitumen roof surface (Ø 16, 24, 42 mm)

ABS-LockSeal Plastic

Sealant collar for anchorage points (Ø 16, 24 and 42 mm) - specially designed for PVC, PP and PE roof surfaces



ABS Therm & ABS Signal

Thermal protective cover & signal rod for fall protection anchors



ABS-Lock X Supporting Tube

Stainless steel reinforcement for ABS-Lock X anchorage points



Gewerbering 3 · D-47623 Kevelaer
ABS Safety GmbH



fon: +49 2832 – 97281-0
fax: +49 2832 – 97281-29



info@absturzschutz.de
www.absturzschutz.de